



BREAK SWITCH

CATALOGUE

www.proino.com





With our experienced and competent engineering team, we are able to design and manufacture reliable and functional products for many sectors, especially the defense industry. We provide to with our agile and effective decision-making mechanism, we have the ability to quickly design and manufacture products tailored specifically to your needs.

Unmanned military vehicles can serve in different operational missions according to usage scenarios, one of which is to be used as kamikaze. Although the triggering of the explosive system in the vehicle in cases where it is used as a kamikaze varies according to operational requirements, the explosion is expected to occur as soon as contact with the enemy element. The break switch we have developed for unmanned naval vehicles is an effective equipment used in such cases by breaking the circuit on the explosive system, causing the explosion system to be triggered at the moment of contact and ensuring the successful realization of the mission.



BREAK SWITCH

Provides a safe service in the vehicles where it is used with its high resistance to Dust Liquid Moisture

Its low weight compared to its counterparts, fast response time, low power consumption during standby and operation, and compact design make it easy to integrate into the system.

Allows storage and operation in different climatic conditions

Provide to its two different configurations, the break switch can be easily integrated into the vehicle and the explosive system according to the characteristics of the vehicle in which it can be installed and provides a wide operating range.

Versions in different sizes can also be produced according to product requirements.

Features:

- 5-28 V supply voltage
- IP 68 protection level
- Microsecond response time

Advantages:

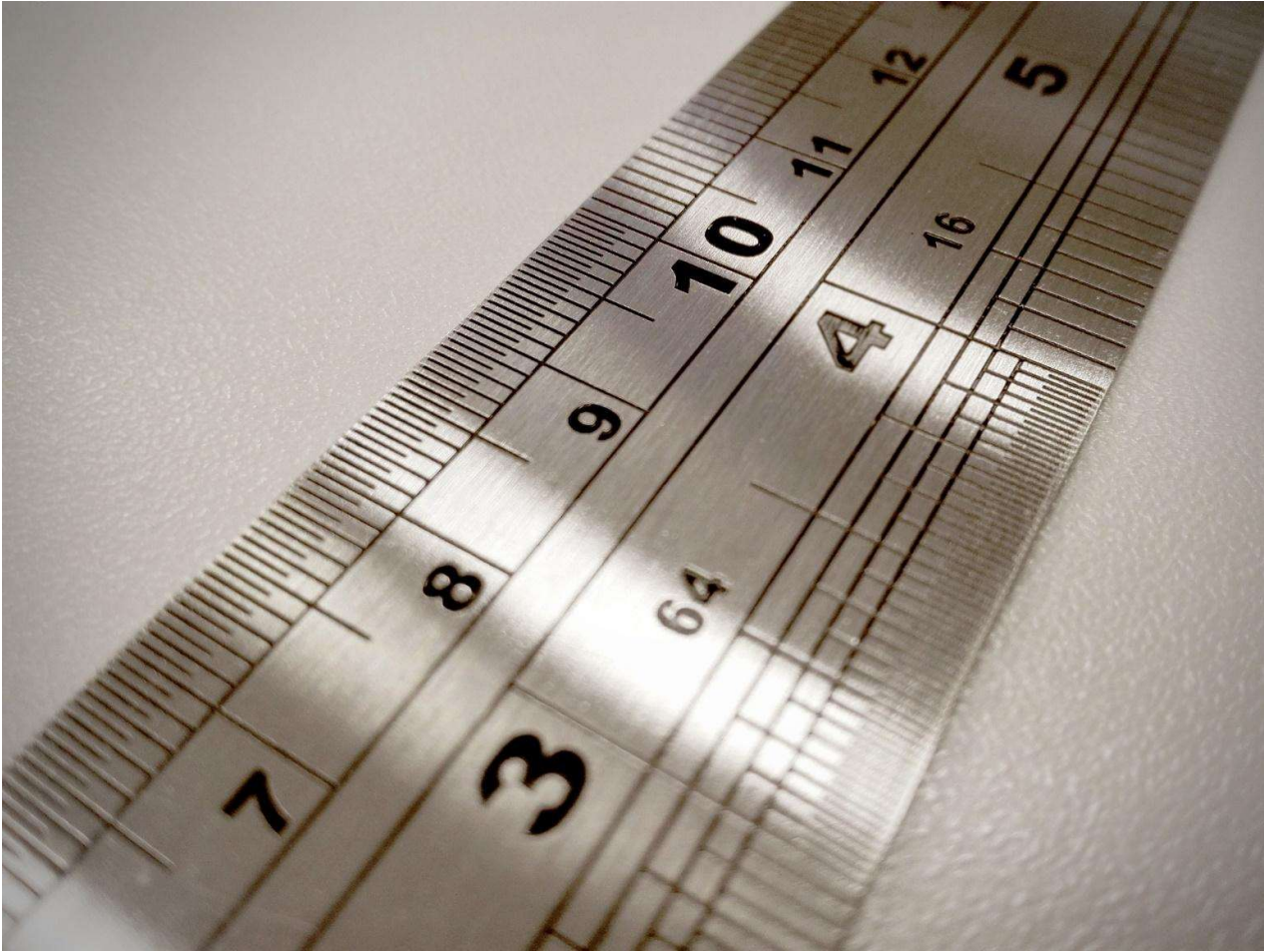
- Smooth operation and storage in high and low temperature environments
- Resistance to weapon shocks of different ranges and caliber
- Wide operating range
- Low power consumption
- Compact design
- Easy Integration



APPLICATION AREAS

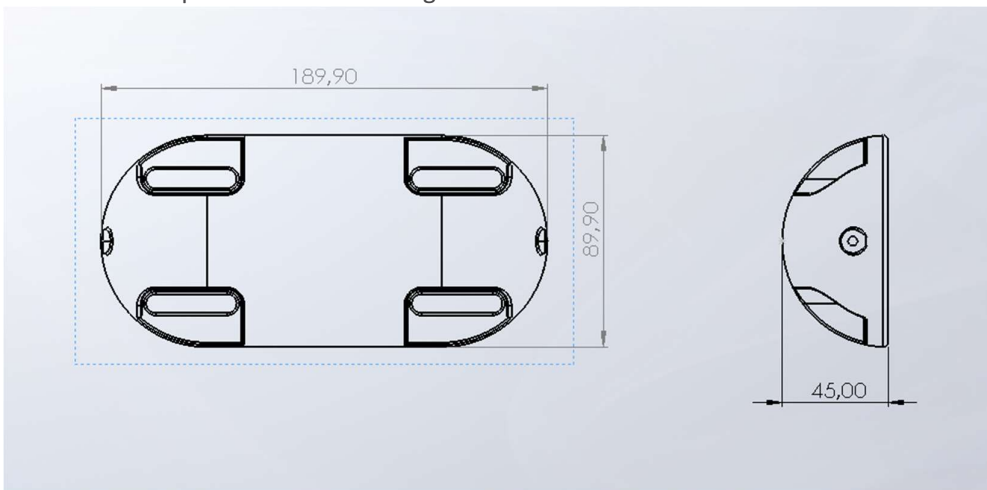


Unmanned Naval Vehicles



Breakage Switch Dimensional Properties

1. Dimensional specifications for configuration



2. Dimensional specifications for configuration

